

JESS CARE SHOWER MIXER

Pressure Rating: Min 150KPa - Max 500KPa

Temperature Rating: Min 1°C - Max 75°C



Chrome
WT 509C-D

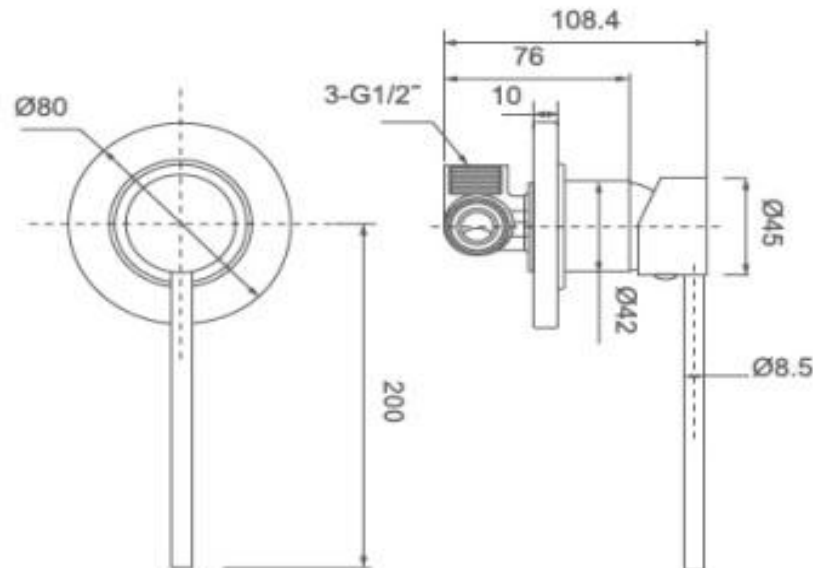


Matt Black
WT 509CBK-D



Brushed Nickel
WT 509BN-D

SPECIFICATIONS



CLEANING & MAINTENANCE:

Tapware should be cleaned with mild detergent and water

All Products must be cleaned with a soft cloth with soapy water, avoid waxes, solvents, abrasives, acids and other chemical based cleaners

Warranty will be void if damages are caused by unsuitable cleaning products

WARRANTY INFORMATION:

Ceramic Cartridge has a 20 year replacement warranty

Chrome Finish has a 5 year replacement warranty

All other finishes have a 2 year replacement warranty

All products have a full 1 year in house labour warranty from date of purchase

ZENMO
Zen-inspired, Modern Living

ADDRESS: 42 Castro Way, Derrimut VIC 3026

PHONE: (03) 8390 6300

OFFICE: ect_sales@outlook.com

SERVICE: ect_service@outlook.com

WEBSITE: www.zenmo.com.au